

Horticultural Lighting



LED Newlights Harvest Lamp



- ❑ Extra Strong Light Source as Direct Substitute of Sunlight
- ❑ Harvest Series with 4 Power Model Options while New Light Extensible Model of 680W also Available
- ❑ Easy Metallic String Mounting Installation & Height Adjustment, Fit Most Occasions
- ❑ High Efficiency IP65 Driver with Waterproof Plugs, Suitable for Damp Location
- ❑ Full Spectrum Light Recipe of High Photosynthetic Lighting Strength to Boost Growing



No Flicker



Dimmable Option



Full Spectrum



50000h



U: 100-277V



For Indoor



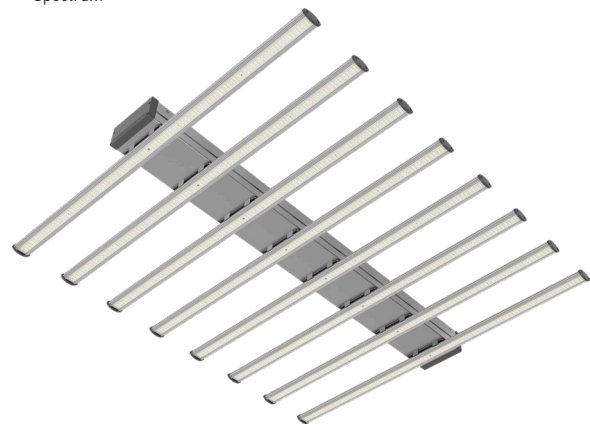
120°



0.5/0.9



Foldable Model



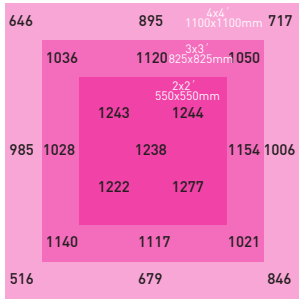
860W Model
8 Bars EFF2.3

01

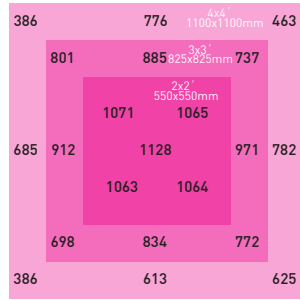
Model No. 产品规格	Dimension 尺寸 L*W*H (mm)	Rated Power 额定功率	Input Voltage 输入电压	Customized Lighting 定制光源方案	PPF 光合光子通量 (400-700nm)	EFF(PPE) 光合光子通量效率 (400-700nm)	PF 功率因素
XGYPGL-HV-E320	550*1130*114	320W	U: 100-277V	Full Spectrum	850μmol / s	2.3μmol / J	0.5 0.9
XGYPGL-HV-E640	1130*1130*114	640W	U: 100-277V	Full Spectrum	1,500μmol / s	2.3μmol / J	0.5 0.9
XGYPGL-HV-E860	1130*1130*114	860W	U: 100-277V	Full Spectrum	2,000μmol / s	2.3μmol / J	0.5 0.9
XGYPGL-HV-E1075	1130*1130*114	1075W	U: 100-277V	Full Spectrum	2,600μmol / s	2.3μmol / J	0.5 0.9
XGYPGL-NLE-E680	1100*1100*50	680W	U: 100-277V	Full Spectrum	1,600μmol / s	2.3μmol / J	0.5 0.9

❑ Rated Power and Photometric Data are Subjected to Changes for Customized Chips

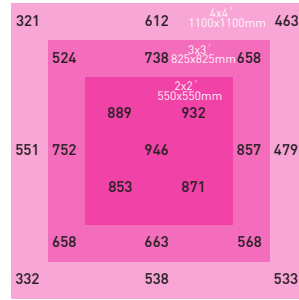
PPFD:



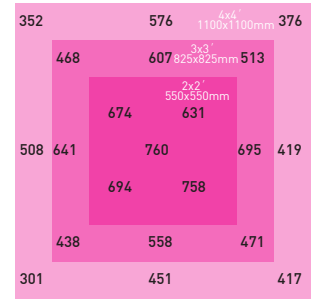
150mm Height



300mm Height

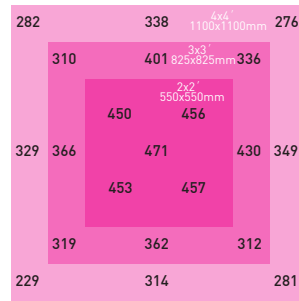
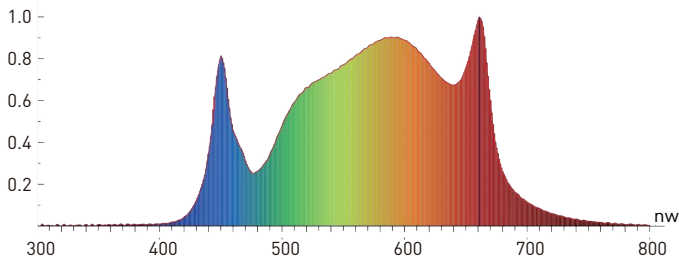


450mm Height

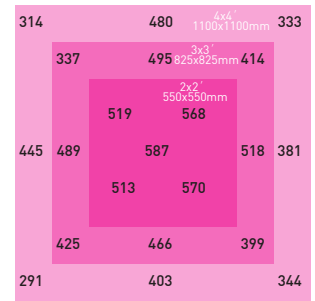


600mm Height

Spectrum:

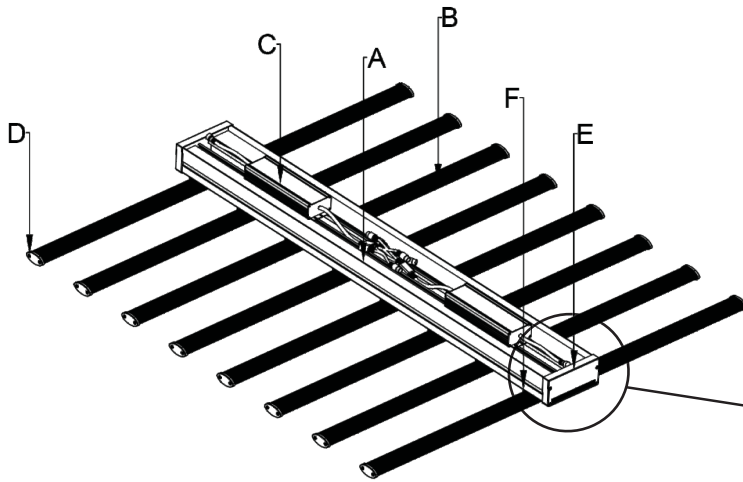


900mm Height

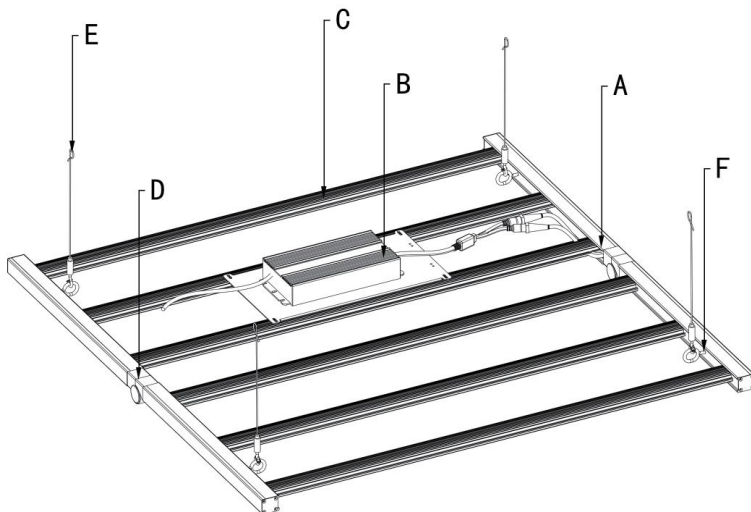
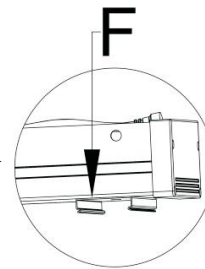


750mm Height

Luminary Structure

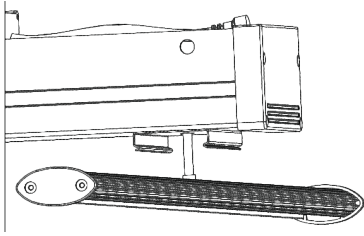


- A: Circuit Box
- B: Aluminum Light Bar
- C: LED drivers (IP65)
- D: Heat Dissipation End Cap
- E: Circuit Box End Cap
- F: Fixing Clamps



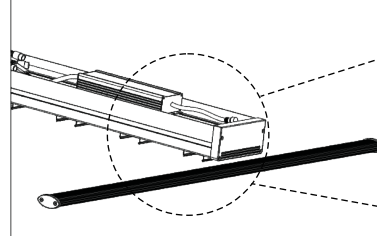
- A: Metallic Body Frame
- B: LED Drivers (IP65)
- C: Light Bars
- D: Folding Hinge Shaft
- E: Hanging Wire
- F: Hanging Hook

Installations:



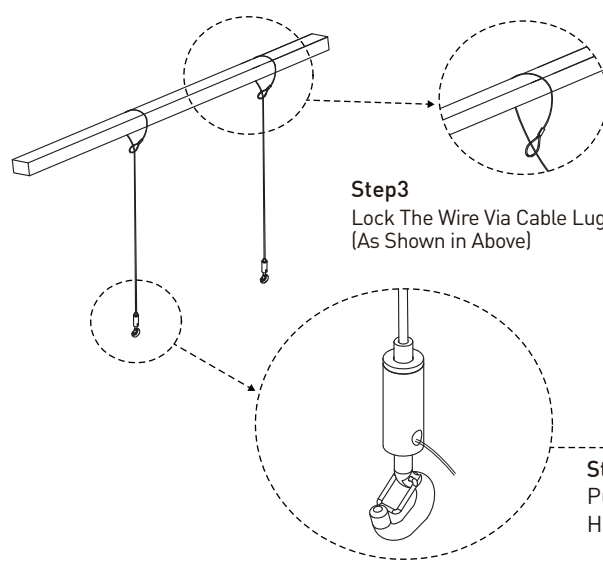
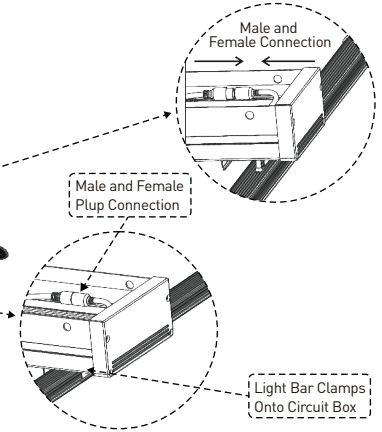
Step1

Connect The Male Input Plug Of Light Bar Via The Preserved Whole Of The Circuit Box To Female Plug Of The Driver



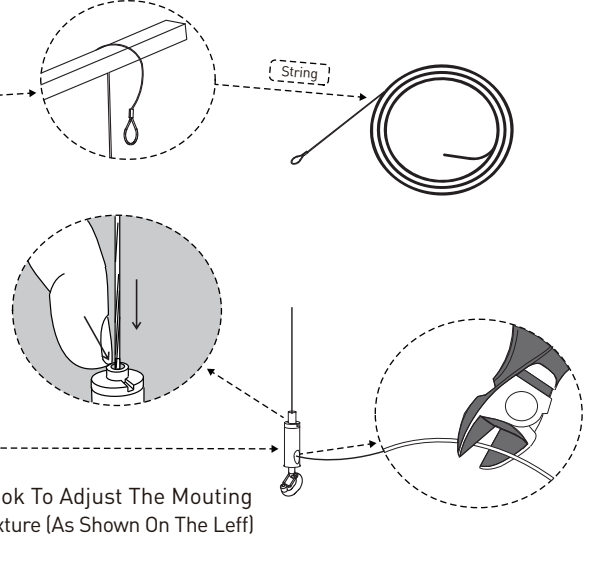
Step2

Fully Clamp The Light Bar Onto The Circuit Box



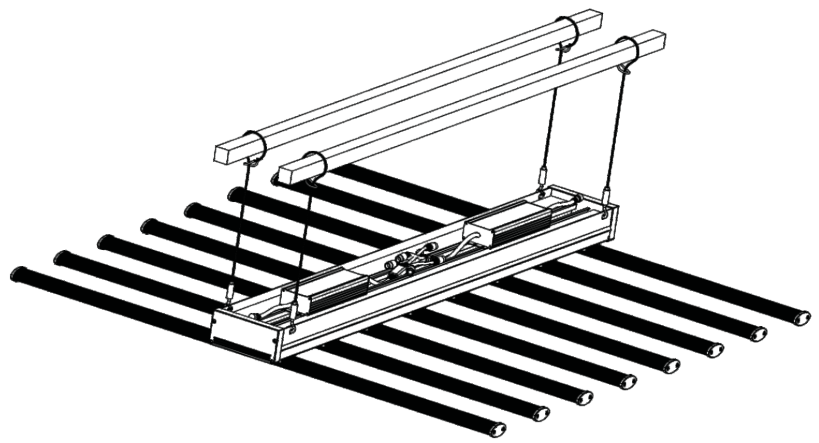
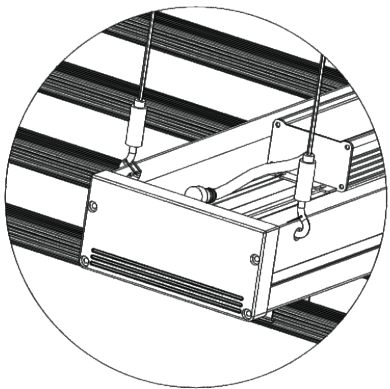
Step3

Lock The Wire Via Cable Lug (As Shown in Above)



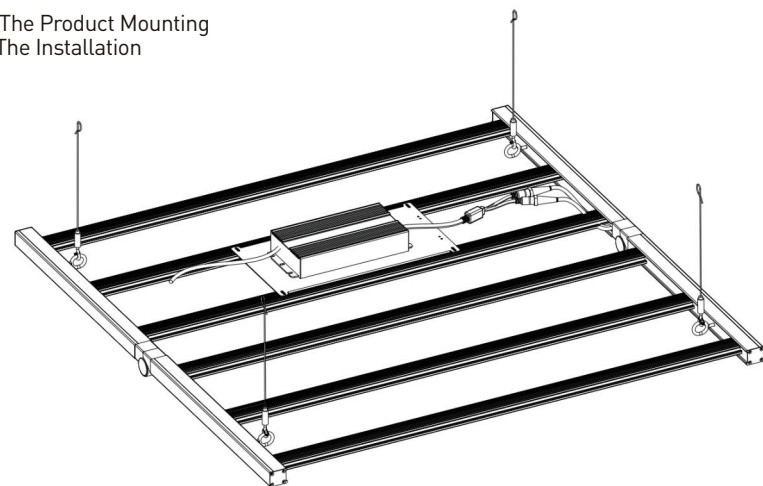
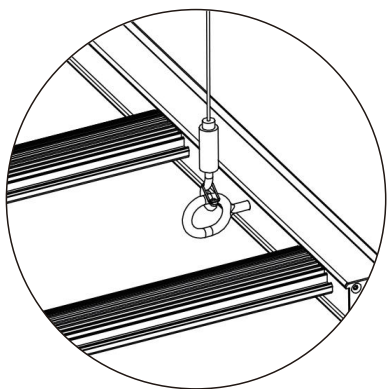
Step4

Pushing The Hook To Adjust The Mounting Height Of The Fixture (As Shown On The Left)



Step5

Place The Hook In The Product Mounting Hole To Complete The Installation

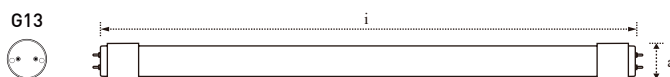


Horticultural Lighting

T8 LED Glass Tube



04



CE ErP 

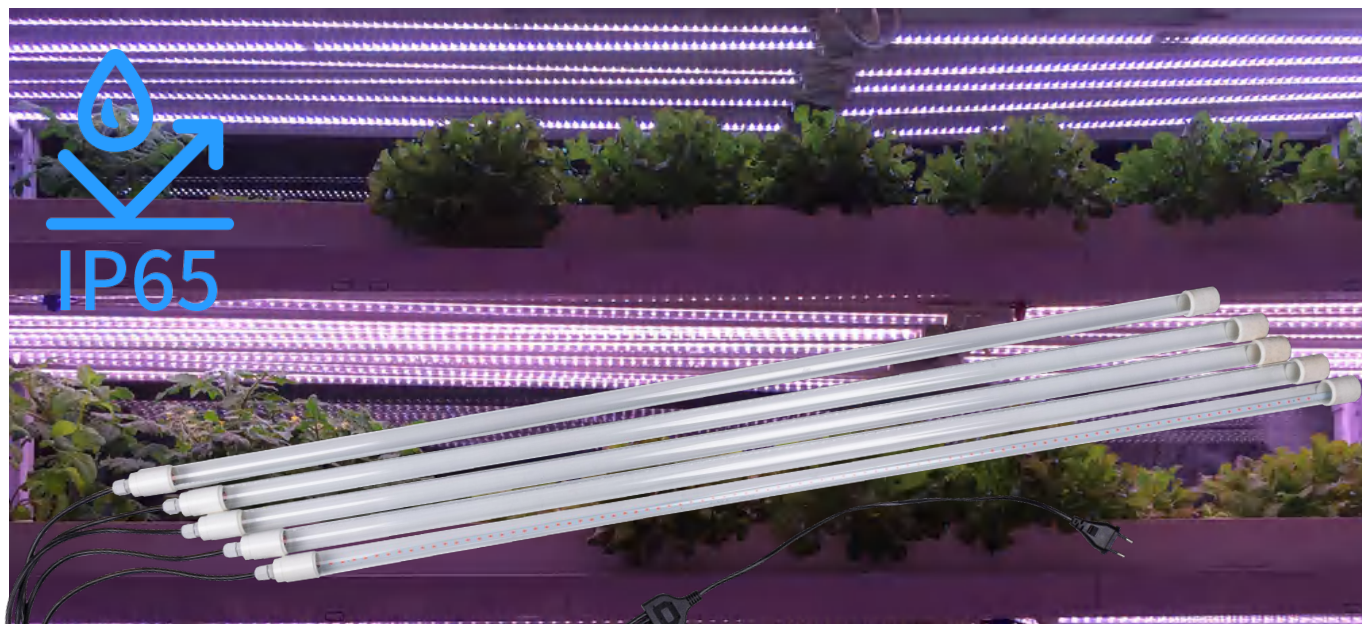
-  No Flicker
-  Full Spectrum
-  25000h
-  S: 180-265V
U: 85-265V
-  For Indoor
-  120°
-  0.5/0.9

Model No. 产品规格	Dimension 尺寸 D*L (mm)	Rated Power 额定功率	Input Voltage 输入电压	Customized Lighting 定制光源方案	PPF 光合光子通量 (400-700nm)	EFF(PPE) 光合光子通量效率 (400-700nm)	PF 功率因素
XGYPGL-T8102-E9	Φ26*590	9W	S: 180-265V U: 85-265V	R&B+Daylight Full Spectrum	13.5μmol / s	1.5μmol / J	0.5 0.9
XGYPGL-T8103-E12	Φ26*895	12W	S: 180-265V U: 85-265V	R&B+Daylight Full Spectrum	21μmol / s	1.8μmol / J	0.5 0.9
XGYPGL-T8104-E18	Φ26*1199	18W	S: 180-265V U: 85-265V	R&B+Daylight Full Spectrum	35μmol / s	1.9μmol / J	0.5 0.9
XGYPGL-T8105-E22	Φ26*1499	22W	S: 180-265V U: 85-265V	R&B+Daylight Full Spectrum	42μmol / s	1.9μmol / J	0.5 0.9

 Rated Power and Photometric Data are Subjected to Changes for Customized Chips

Horticultural Lighting

IP65 T8 LED Tube



05

CE ErP 



No Flicker



Full Spectrum



25000h



S: 180-265V
U: 85-265V



For Indoor




320°



0.5/0.9

Model No. 产品规格	Dimension 尺寸 L*W*H (mm)	Rated Power 额定功率	Input Voltage 输入电压	Customized Lighting 定制光源方案	PPF 光合光子通量 (400-700nm)	EFF(PPE) 光合光子通量效率 (400-700nm)	PF 功率因素
XGYPGL-T8IP65-E9	Φ26*590	9W	S: 180-265V U: 85-265V	R&B+Daylight Full Spectrum	13.5μmol / s	1.5μmol / J	0.5 0.9
XGYPGL-T8IP65-E12	Φ26*895	12W	S: 180-265V U: 85-265V	R&B+Daylight Full Spectrum	21μmol / s	1.8μmol / J	0.5 0.9
XGYPGL-T8IP65-E18	Φ26*1199	18W	S: 180-265V U: 85-265V	R&B+Daylight Full Spectrum	35μmol / s	1.9μmol / J	0.5 0.9
XGYPGL-T8IP65-E22	Φ26*1499	22W	S: 180-265V U: 85-265V	R&B+Daylight Full Spectrum	42μmol / s	1.9μmol / J	0.5 0.9

 Rated Power and Photometric Data are Subjected to Changes for Customized Chips

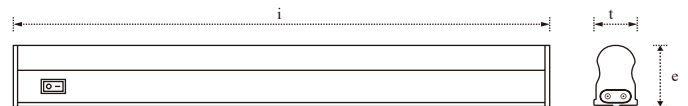
Horticultural Lighting



T5 LED Integrated Fixture



06



No Flicker



Full Spectrum



25000h



S: 180-265V
U: 85-265V



For Indoor



120°



0.5/0.9

Model No. 产品规格	Dimension 尺寸 D*L (mm)	Rated Power 额定功率	Input Voltage 输入电压	Customized Lighting 定制光源方案	PPF 光合光子通量 (400-700nm)	EFF(PPE) 光合光子通量效率 (400-700nm)	PF 功率因素
XGYPGL-T5F201-E5 XGYPGL-T5F701-E5	23*34*300	5W	S: 180-265V U: 85-265V	R&B+Daylight Full Spectrum	7.5μmol / s	1.5μmol / J	0.5 0.9
XGYPGL-T5F202-E9 XGYPGL-T5F702-E9	23*34*572	9W	S: 180-265V U: 85-265V	R&B+Daylight Full Spectrum	13.5μmol / s	1.5μmol / J	0.5 0.9
XGYPGL-T5F203-E12 XGYPGL-T5F703-E12	23*34*880	12W	S: 180-265V U: 85-265V	R&B+Daylight Full Spectrum	21μmol / s	1.8μmol / J	0.5 0.9
XGYPGL-T5F204-E18 XGYPGL-T5F704-E18	23*34*1178	18W	S: 180-265V U: 85-265V	R&B+Daylight Full Spectrum	35μmol / s	1.9μmol / J	0.5 0.9
XGYPGL-T5F205-E22 XGYPGL-T5F705-E22	23*34*1478	22W	S: 180-265V U: 85-265V	R&B+Daylight Full Spectrum	44μmol / s	2μmol / J	0.5 0.9

Rated Power and Photometric Data are Subjected to Changes for Customized Chips

Horticultural Lighting

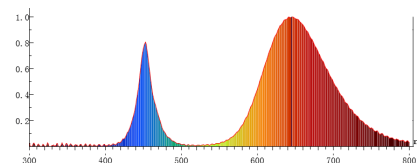
LED Filament Bulb



OFF



ON



07

Model No. 产品规格	Dimension 尺寸 L*W*H (mm)	Rated Power 额定功率	Input Voltage 输入电压	Customized Lighting 定制光源方案	PPF 光合光子通量 (400-700nm)	EFF(PPE) 光合光子通量效率 (400-700nm)	PF 功率因素
XGYA60(A19)-E4	Φ60*108	4W	S: 180-265V U: 85-265V	R&B+Daylight Full Spectrum	7μmol / s	1.8μmol / J	0.5 0.9
XGYA60(A19)-E6	Φ60*108	6W	S: 180-265V U: 85-265V	R&B+Daylight Full Spectrum	10.5μmol / s	1.8μmol / J	0.5 0.9
XGYA60(A19)-E8	Φ60*108	8W	S: 180-265V U: 85-265V	R&B+Daylight Full Spectrum	14μmol / s	1.8μmol / J	0.5 0.9

⊗ Rated Power and Photometric Data are Subjected to Changes for Customized Chips

Horticultural Lighting



LED Bulb BR30 & PAR38



No Flicker



Full Spectrum



25000h



S: 180-265V
U: 85-265V



For Indoor



120°



0.5/0.9



BR30



PAR38

08

Model No. 产品规格	Dimension 尺寸 L*W*H (mm)	Rated Power 额定功率	Input Voltage 输入电压	Customized Lighting 定制光源方案	PPF 光合光子通量 (400-700nm)	EFF(PPE) 光合光子通量效率 (400-700nm)	PF 功率因素
XGYPL-BR30-E10	56*130	10W	S: 180-265V U: 85-265V	R&B+Daylight Full Spectrum	17 μ mol / s	1.7 μ mol / J	0.5 0.9
XGYPL-PAR38-1-E18	125*135	18W	S: 180-265V U: 85-265V	R&B+Daylight Full Spectrum	32 μ mol / s	1.8 μ mol / J	0.5 0.9
XGYPL-PAR38-2-E18	122*128	18W	S: 180-265V U: 85-265V	R&B+Daylight Full Spectrum	32 μ mol / s	1.8 μ mol / J	0.5 0.9
XGYPL-PAR38-3-E18	120*107	18W	S: 180-265V U: 85-265V	R&B+Daylight Full Spectrum	32 μ mol / s	1.8 μ mol / J	0.5 0.9
XGYPL-PAR38-4-E30	120*135	30W	S: 180-265V U: 85-265V	R&B+Daylight Full Spectrum	50 μ mol / s	1.7 μ mol / J	0.5 0.9

Rated Power and Photometric Data are Subjected to Changes for Customized Chips

Horticultural Lighting

LED Flood Light



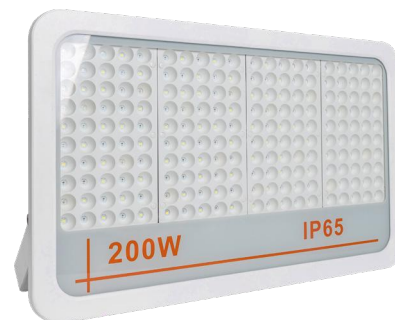
E50



E100



E150



E200

09



No Flicker



Full Spectrum



25000h



U: 85-265V



For Indoor



120°



0.5/0.9

Model No. 产品规格	Dimension 尺寸 L*W*H (mm)	Rated Power 额定功率	Input Voltage 输入电压	Customized Lighting 定制光源方案	PPF 光合光子通量 (400-700nm)	EFF(PPE) 光合光子通量效率 (400-700nm)	PF 功率因素
XGYPGL-FL-E50	235*230*50	50W	U: 85-265V	R&B+Daylight Full Spectrum	85μmol / s	1.7μmol / J	0.5
XGYPGL-FL-E100	290*325*50	100W	U: 85-265V	R&B+Daylight Full Spectrum	150μmol / s	1.5μmol / J	0.5
XGYPGL-FL-E150	425*325*55	150W	U: 85-265V	R&B+Daylight Full Spectrum	180μmol / s	1.2μmol / J	0.5
XGYPGL-FL-E200	525*325*52	200W	U: 85-265V	R&B+Daylight Full Spectrum	240μmol / s	1.2μmol / J	0.5

Rated Power and Photometric Data are Subjected to Changes for Customized Chips

Horticultural Lighting



LED High Bay - UFO



Front



Back



Side

10



No Flicker



Full Spectrum



25000h



U: 85-265V



For Indoor



120°



0.9

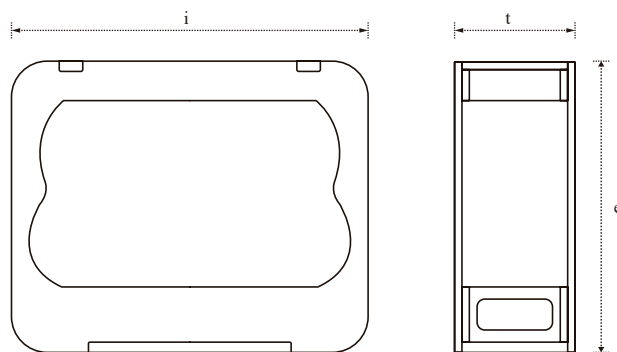
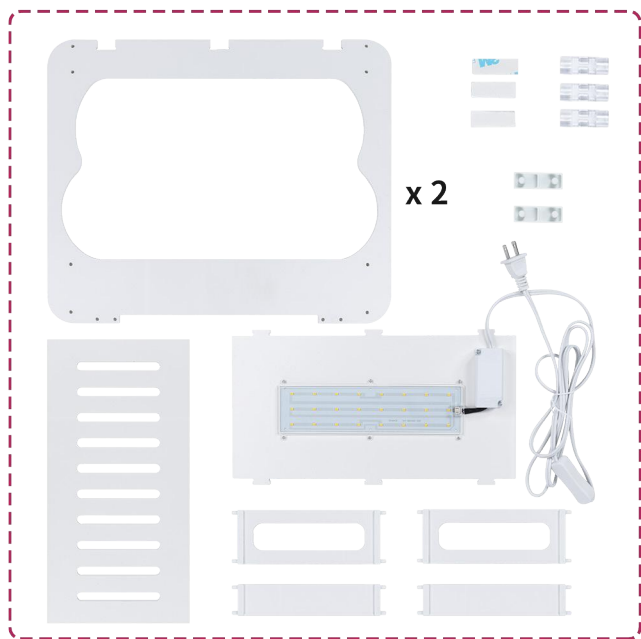
Model No. 产品规格	Dimension 尺寸 L*W*H (mm)	Rated Power 额定功率	Input Voltage 输入电压	Customized Lighting 定制光源方案	PPF 光合光子通量 (400-700nm)	EFF(PPE) 光合光子通量效率 (400-700nm)	PF 功率因素
XGYPGL-UFO-E100	Φ300	100W	U: 85-265V	R&B+Daylight Full Spectrum	200μmol / s	2μmol / J	0.9
XGYPGL-UFO-E150	Φ365	150W	U: 85-265V	R&B+Daylight Full Spectrum	300μmol / s	2μmol / J	0.9
XGYPGL-UFO-E200	Φ420	200W	U: 85-265V	R&B+Daylight Full Spectrum	400μmol / s	2μmol / J	0.9

Rated Power and Photometric Data are Subjected to Changes for Customized Chips

Horticultural Lighting



LED Table Growing Fixture



11



No Flicker



Full Spectrum



25000h



S:180-265V
U: 85-265V



For Indoor



160°



0.5/0.9

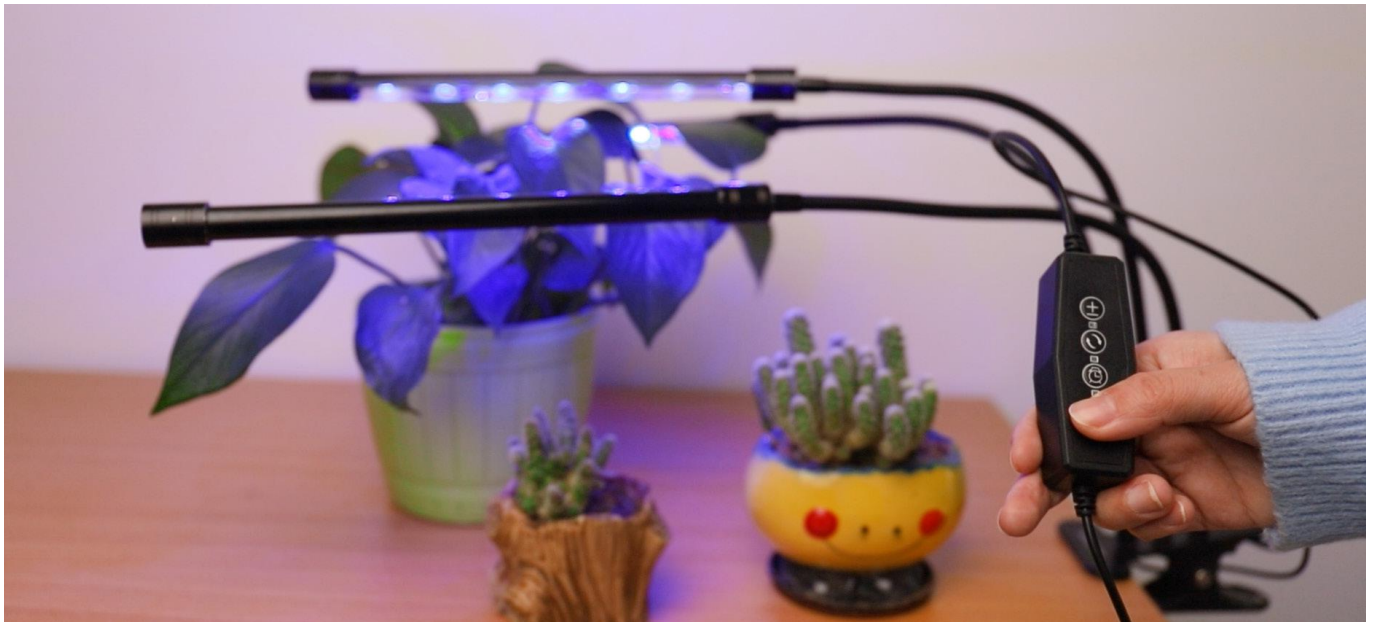
Model No.	Dimension	Rated Power	Input Voltage	Customized Lighting	PPF	EFF(PPE)	PF
产品规格	尺寸 L*W*H (mm)	额定功率	输入电压	定制光源方案	光合光子通量 (400-700nm)	光合光子通量效率 (400-700nm)	功率因素
XGYPGL-TGF-E14	384*174*320	14W	U: AC 100-265V	R&B+Daylight Full Spectrum	17μmol / s	1.1μmol / J	0.5

Rated Power and Photometric Data are Subjected to Changes for Customized Chips

Horticultural Lighting



LED 3 Heads Table Growing Fixture



12



Off



Red



Red&Blue



Blue



No Flicker



Full Spectrum



25000h



100-240V



For Indoor



360°



0.5

Model No.	Dimension	Rated Power	Input Voltage	Customized Lighting	PPF	EFF(PPE)	PF
产品规格	尺寸 L*W*H (mm)	额定功率	输入电压	定制光源方案	光合光子通量 (400-700nm)	光合光子通量效率 (400-700nm)	功率因素
XGYPL-3H-E10	245*380	10W	AC 100-240V DC:5V 3A	R+B	9μmol / s	0.9μmol / J	0.5

Rated Power and Photometric Data are Subjected to Changes for Customized Chips

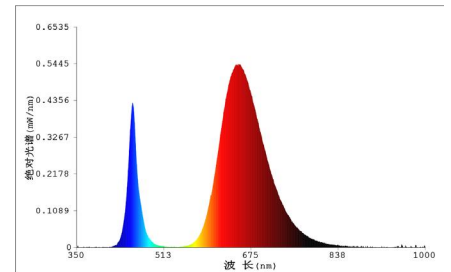
Horticultural Lighting



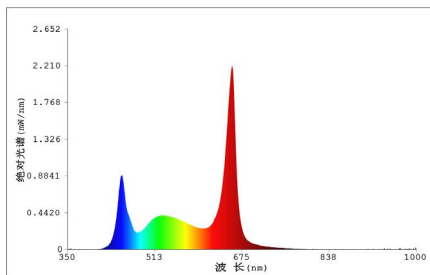
Spectrum Available

Features:

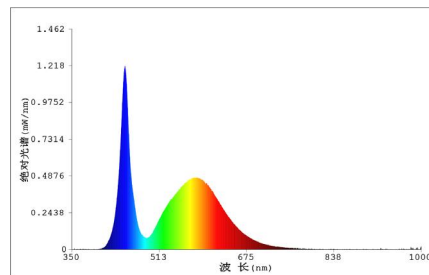
- ✘ LED Light Source and Phosphor Powder Control to Achieve Desired Spectrum
- ✘ Pre-defined Full Spectrum Light Source, Suitable for Almost ALL Plants
- ✘ Chips For Vegetables / Flowers / Grow Seedlings / Fruits / Succulent / Rhizomatous
- ✘ Chips Formulation Can Support Almost All Lighting Fixtures
- ✘ Chips Arrangement Can be Customized, or Evenly Distributed



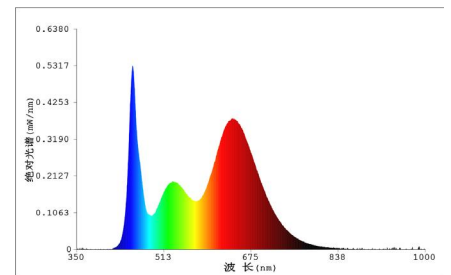
Vegetables



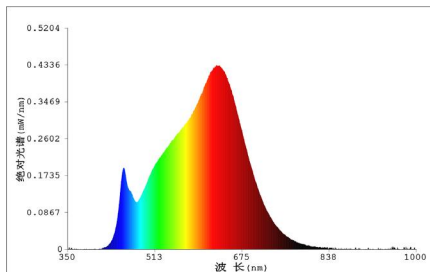
Cruciferae



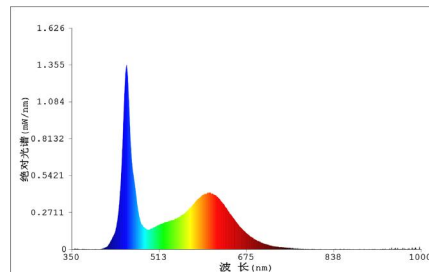
Grow Seedlings



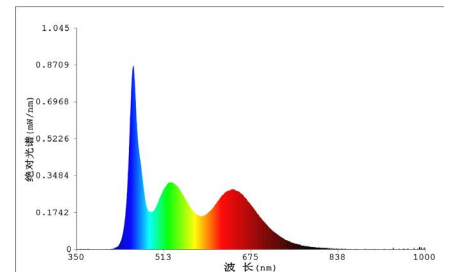
Fruits Bast | Vegetables



Cannabis Flowers



Succulent Plants



Rhizomatous plants

Model No. 产品规格	SMD LED 规格	Target Plants 适用植物	PPF 光合光子通量 (400-700nm)	EFF(PPE) 光合光子通量效率 (400-700nm)	光子 Photons (380-780nm)	光子 Photons (380-600nm)	光子 Photons (500-700nm)
Full Spectrum Chips (1ALUs) 全光谱灯珠 (1 颗)	2835	Vegetables 叶菜	0.28 $\mu\text{mol} / \text{s}$	1.58 $\mu\text{mol} / \text{J}$	3.4e-1 $\mu\text{mol} / \text{s/s}$	4.9e-1 $\mu\text{mol} / \text{s/s}$	2.4e-1 $\mu\text{mol} / \text{s/s}$
Full Spectrum Chips (1ALUs) 全光谱灯珠 (1 颗)	2835	Cruciferae 十字花科	0.60 $\mu\text{mol} / \text{s}$	1.98 $\mu\text{mol} / \text{J}$	6.2e-1 $\mu\text{mol} / \text{s/s}$	2.6e-1 $\mu\text{mol} / \text{s/s}$	5.0e-1 $\mu\text{mol} / \text{s/s}$
Full Spectrum Chips (1ALUs) 全光谱灯珠 (1 颗)	2835	Grow Seedlings 育苗	0.40 $\mu\text{mol} / \text{s}$	2.18 $\mu\text{mol} / \text{J}$	4.0e-1 $\mu\text{mol} / \text{s/s}$	2.9e-1 $\mu\text{mol} / \text{s/s}$	2.8e-1 $\mu\text{mol} / \text{s/s}$
Full Spectrum Chips (1ALUs) 全光谱灯珠 (1 颗)	2835	Fruits Bast Vegetables 水果 蔬菜	0.30 $\mu\text{mol} / \text{s}$	1.68 $\mu\text{mol} / \text{J}$	3.3e-1 $\mu\text{mol} / \text{s/s}$	1.3e-1 $\mu\text{mol} / \text{s/s}$	2.4e-1 $\mu\text{mol} / \text{s/s}$
Full Spectrum Chips (1ALUs) 全光谱灯珠 (1 颗)	2835	Cannabis Flowers 大麻花卉	0.34 $\mu\text{mol} / \text{s}$	1.95 $\mu\text{mol} / \text{J}$	3.7e-1 $\mu\text{mol} / \text{s/s}$	1.6e-1 $\mu\text{mol} / \text{s/s}$	3.1e-1 $\mu\text{mol} / \text{s/s}$
Full Spectrum Chips (1ALUs) 全光谱灯珠 (1 颗)	2835	Succulent Plants 多肉植物	0.38 $\mu\text{mol} / \text{s}$	2.1 $\mu\text{mol} / \text{J}$	3.9e-1 $\mu\text{mol} / \text{s/s}$	2.5e-1 $\mu\text{mol} / \text{s/s}$	2.5e-1 $\mu\text{mol} / \text{s/s}$
Full Spectrum Chips (1ALUs) 全光谱灯珠 (1 颗)	2835	Rhizomatous plants 根茎类植物	0.32 $\mu\text{mol} / \text{s}$	1.87 $\mu\text{mol} / \text{J}$	3.5e-1 $\mu\text{mol} / \text{s/s}$	2.0e-1 $\mu\text{mol} / \text{s/s}$	2.3e-1 $\mu\text{mol} / \text{s/s}$